

FAG

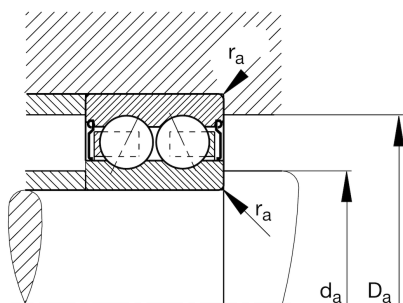
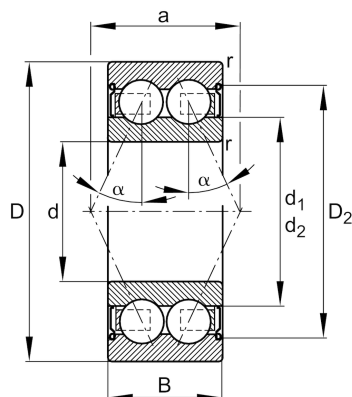
3216-B-2Z-TVH

Angular contact ball bearing

Schaeffler ID:
0190554040000

Angular contact ball bearing 32..-B-2Z-TVH, double row, shields, plastic cage

Technical information

**Main Dimensions & Performance Data**

d	80 mm	Bore diameter
D	140 mm	Outside diameter
B	44,4 mm	Width
C _r	99.000 N	Basic dynamic load rating, radial
C _{0r}	102.000 N	Basic static load rating, radial
C _{ur}	5.100 N	Fatigue load limit, radial
n _G	3.650 1/min	Limiting speed
n _{gr}	5.100 1/min	Reference speed
	2,28 kg	Weight

Dimensions

r _{min}	2 mm	Minimum chamfer dimension
D ₂	124,5 mm	Caliber diameter outer ring
d ₁	98,5 mm	Shoulder diameter inner ring
a	69,1 mm	Distance between the apexes of the pressure cones
α	25 °	Contact angle

Mounting dimensions

d _{a min}	91 mm	Minimum diameter shaft shoulder
D _{a max}	129 mm	Maximum diameter of housing shoulder
r _{a max}	2 mm	Maximum fillet radius

Temperature range

T _{min}	-20 °C	Operating temperature min.
T _{max}	120 °C	Operating temperature max.